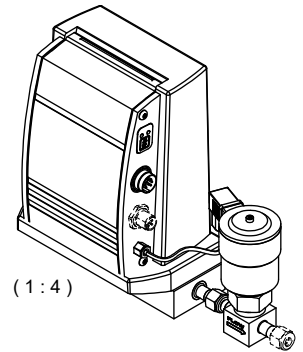
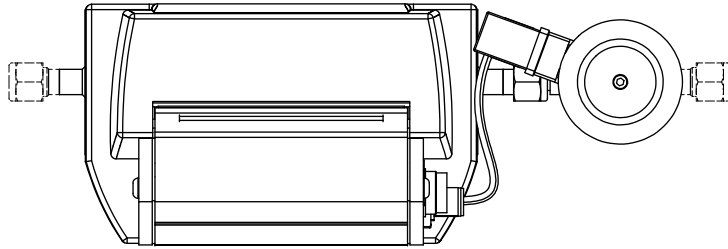
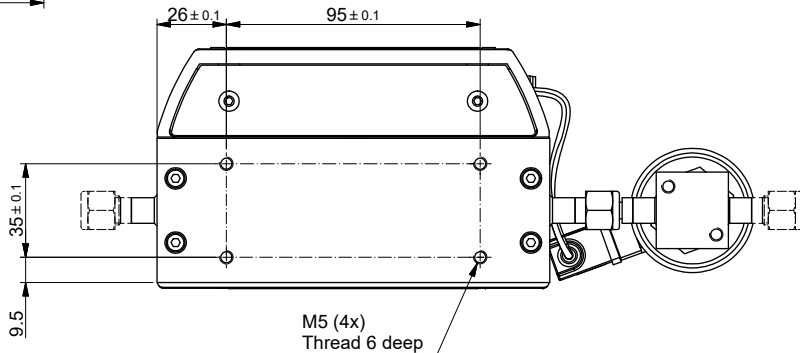
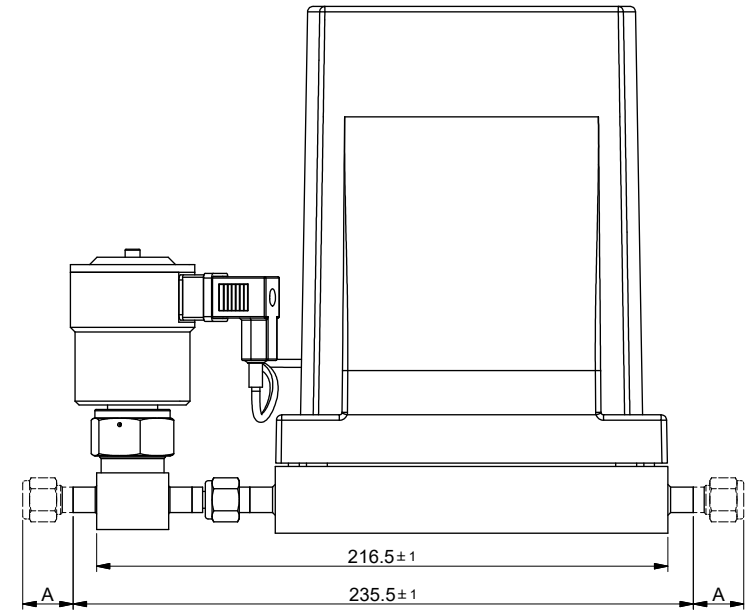
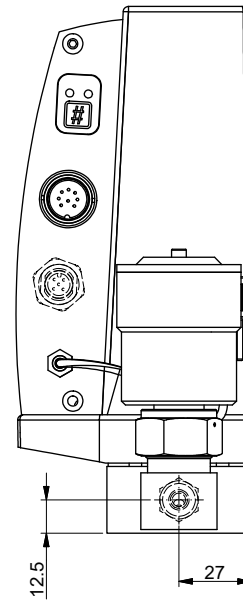
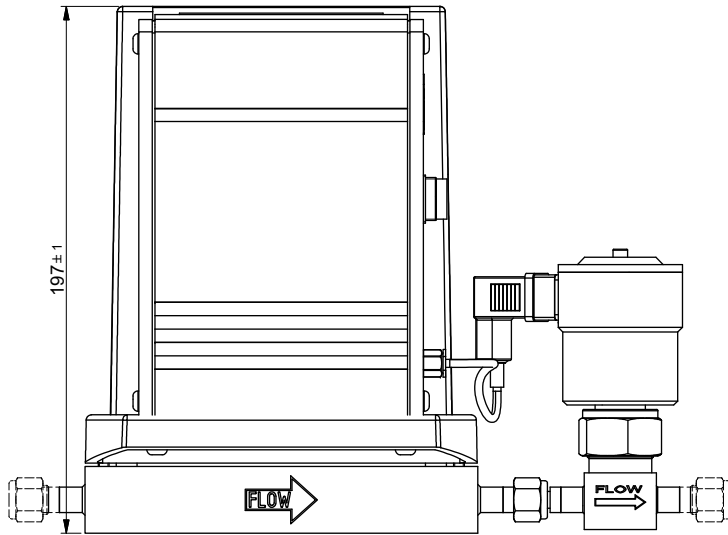
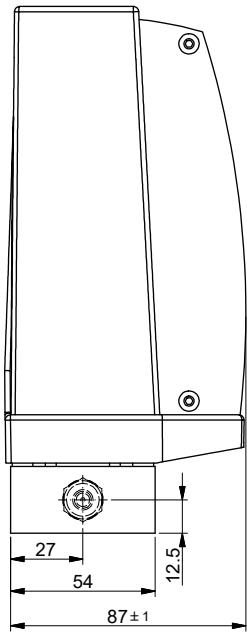


(1:4)




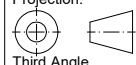
(1:4)



Check document 7.05.672 for dimension A.  
Dimensions subject to change without notice.

These dimensions are for reference only and subject to change without notice.

Tolerances ± 0.2 unless otherwise mentioned

Title: <b>Dimensional drawing</b> <b>M5XC5 CORI-FLOW</b>	Drawn by: J.H. Date: 09-09-2004	Revision Description: Update drawing		
	Rev. by: M.H. Date: 06-05-2022			
 www.BRONKHORST.COM	Projection:  Third Angle	Checked: F.L. Date: 06-05-2022	Scale: 1 : 2	A3
	Dimensions: Metric (mm)	Drawing no.: <b>7.05.612</b>	Rev: <b>I</b>	Page: 1 - 1